



Hi, I'm Bevi

Your friendly,
smart water cooler.

Introduction

Hi, I'm **Bevi**.

Your still and sparkling, multiflavored, eco-friendly, healthy water cooler that never runs out.

I'm a great source of hydration for you and your colleagues. Some say that I am water, un-boring, while others say that my flavors taste great.

I provide high-quality filtered water, sparkling water, or flavored water from your tap. This minimizes your carbon footprint and greatly reduces your contribution to landfills.

I'm also one less thing to worry about. My filter and flavor levels are proactively monitored via the Internet and then refilled by a member of the Bevi team or Bevi service partner. The only thing you have to do is enjoy Bevi :)



The options

You already know Bevi has something for everyone. We also have different options to fit your space as well.

The Standup Bevi

A singular, floor-standing unit. Sleek and stylish, small footprint with a big impact. All within a 2' x 2' floor space.

The Countertop Bevi

A sexy, compact unit for the space-challenged places. Converts your top counter and bottom cabinet spaces into a smart water cooler.



Different flavors of Bevi

Starting with...



**STILL
WATER**

or



**SPARKLING
WATER**

and then, if you like you can add...



**BLACKBERRY
LIME**



**LEMON
LIME**



PINEAPPLE



COCONUT



LEMON



LIME MINT



RASPBERRY



BLACK CHERRY



PEACH

Different flavors of Bevi continued



PEAR



GRAPEFRUIT



CUCUMBER



WATERMELON



STRAWBERRY
LEMONGRASS

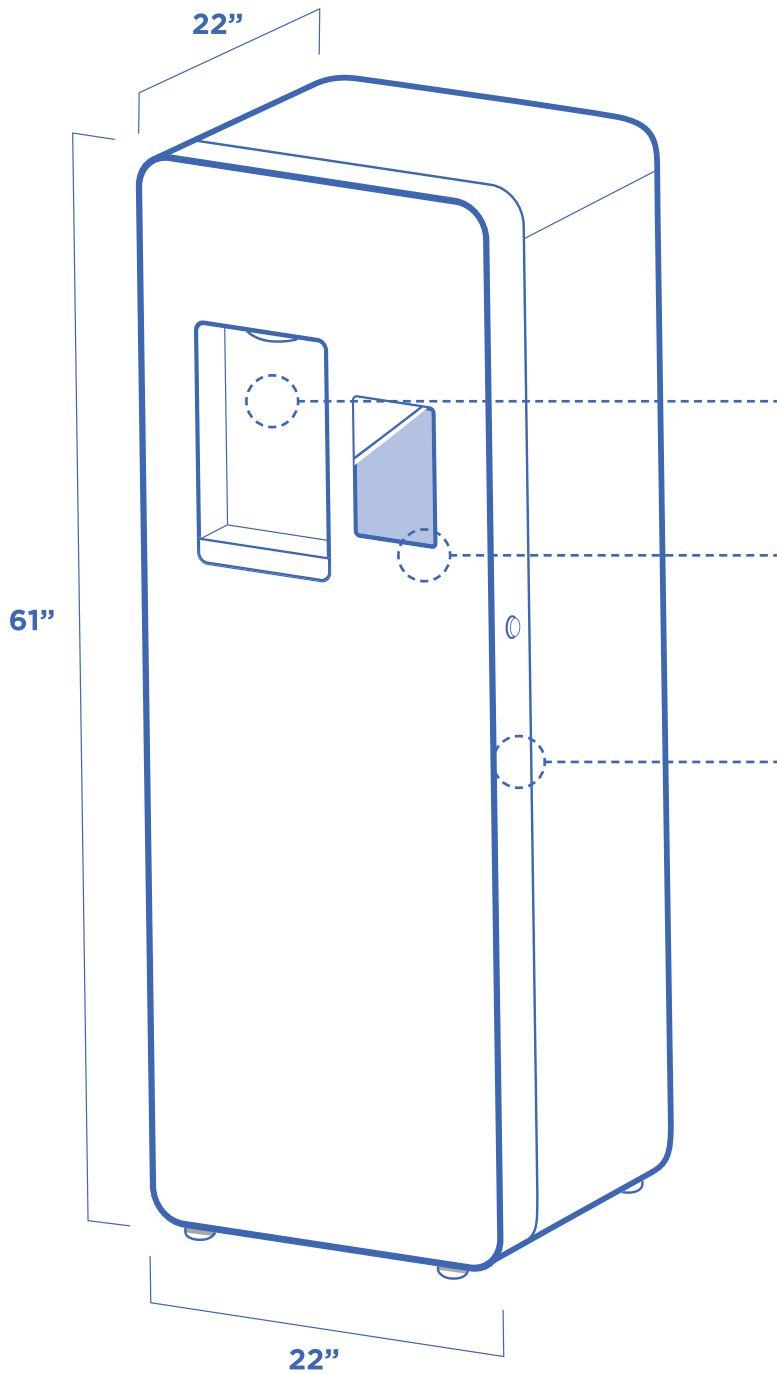


PEACH MANGO



KEY LIME

The Standup Bevi



Refill station

Our machine accepts any container. With our single-nozzle design and LED lighting, filling up is clean and easy.

Touchscreen dispense

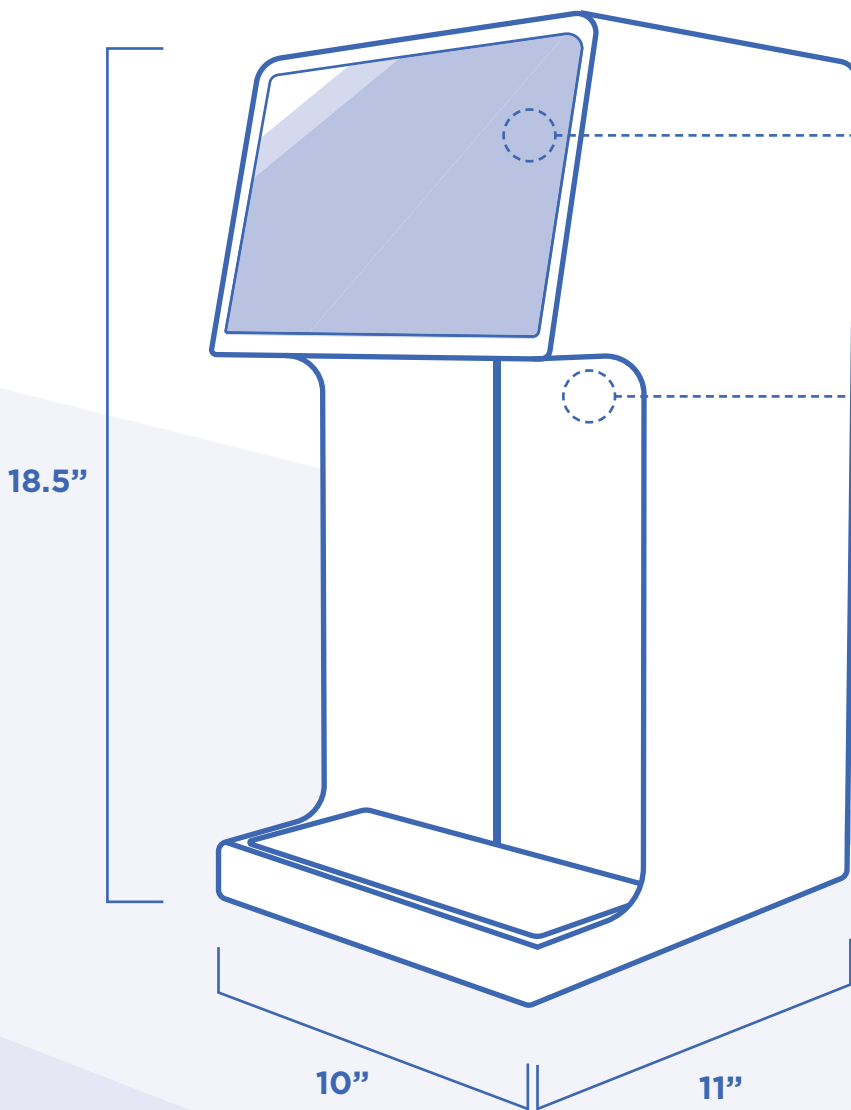
This is where a user selects their custom drink: still, sparkling, flavored, or not.

Water/power supply

- Standard 3-prong US 120V electrical outlet, draws less than 9 amps.
- 3/8" outer diameter water line.



The Countertop Bevi



Touchscreen dispense

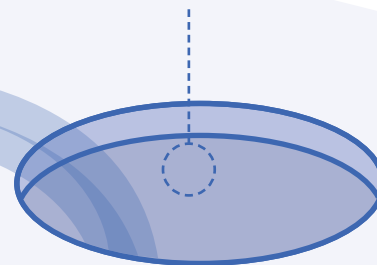
This is where a user selects their custom drink: still, sparkling, flavored, or not.

Refill station

Our machine accepts any container. With our single-nozzle design and LED lighting, filling up is easy and clean.

Hole through top of counter

A 4" diameter hole must be drilled through top of the counter to allow routing of beverage tubing lines.



Water/power supply (within cabinet space)

- Standard 3-prong US 120V electrical outlet, draws less than 9 amps.
- 3/8" outer diameter water line.

We recommend utilizing at least two cabinets.

Cabinet 1: 28" tall, 16" wide, and 22" deep
Cabinet 2: 28" tall, 18" wide, 22" deep

BITSIGHT



Environmental benefits of Bevi

I'm not just a fun source of hydration for you and your friends. I'm also an environmentally friendlier alternative to bottle beverages. See some comparisons below.

Plastic Bottles vs. Bevi

Number of barrels of oil used to make plastic bottles each year in the U.S.



Extraction



Bevi is strictly a BYOB (Bring your own bottle) machine.

The amount of water wasted in the manufacturing of each plastic bottle.



Manufacturing



No water is wasted in the production of your drink.

A considerable portion of the carbon footprint is generated by the transportation of plastic bottles.



Transportation



80% less energy consumed.

Each year, 41 billion bottles from the U.S. end up in a landfill.



Disposal



Bevi saves 35,000 bottles per machine per year.

HELLO





bevi

pour something good

bevi[®]
pour something good

info@bevi.co | www.bevi.co
617.315.4715