

# ACE-LP



## Features

- Perfect brewer for medium to large size businesses with moderate to heavy activity.
- Brews into a glass decanter with a 12 cup capacity. Either regular, decaf, or flavored coffees can be brewed.
- Designed for medium or large locations [low profile configuration] like a sitting room environment, cafeteria, small or medium size convenience stores, or restaurants.
- Low pressure hot water faucet which can be used for allied products such as: hot chocolate, tea, or soups.
- A "Ready" light indicating that the optimum brewing temperature has been reached.
- Auto Arm Capability: When the start switch has been activated, the brewing process will be "Held" until the optimum brewing temperature – "Ready Light" - has been reached. Once the optimum temperature has been reached, it will start the brewing cycle automatically.
- Flashing "Brew Light" during the brewing process alerting YOU that coffee is being prepared.
- Inconsistent pot levels eliminated with the PDS valve system [Positive Displacement System] in low water pressure areas.
- "On & Off" switch located on the back of the brewer. The switch turns off the hot water tank system.

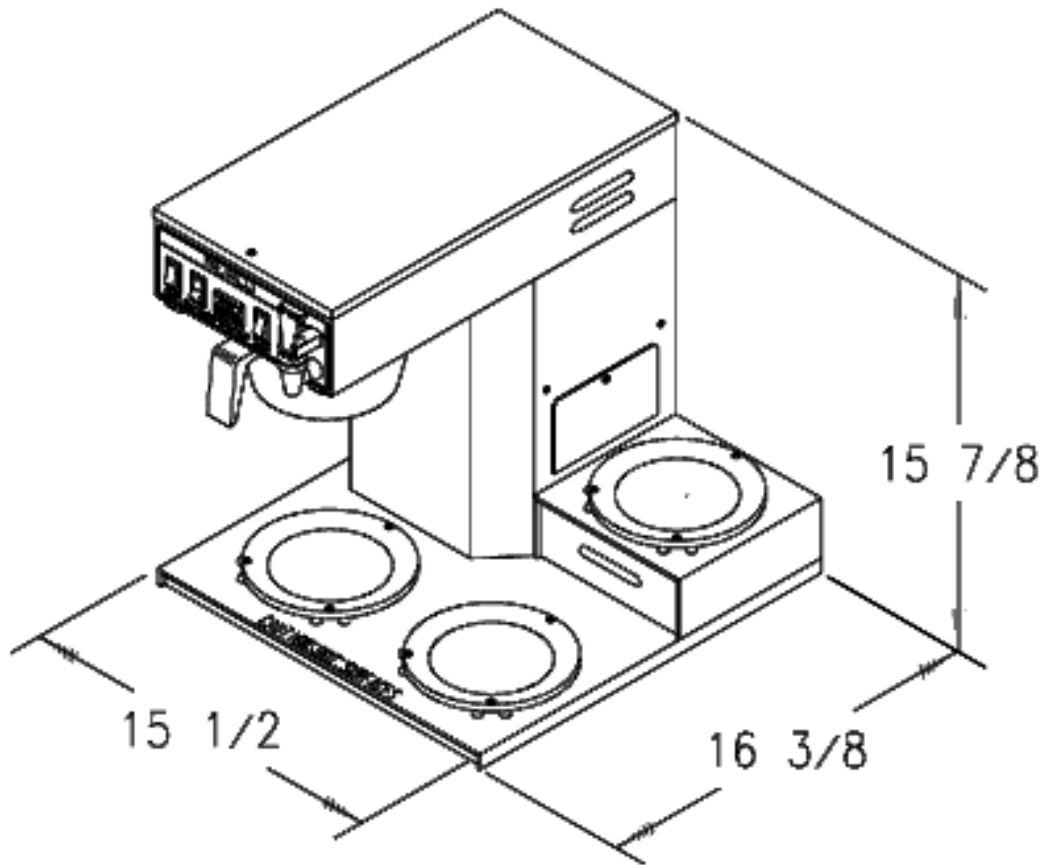


Newco designed the ACE series of brewers to satisfy customer requests for a multi-feature brewer suited for the office environment.

ACE models incorporate unique design features that include: a water level detection system that eliminates evaporation short pots, an adjustable brew safety light which flashes during the brew cycle to alert the user the brew cycle is in process, and a gravity hot water faucet system which dispenses hot water while brewing without altering the brew volume.

All the features are built into a stainless steel cabinet for long stability and durability.

# ACE-LP



## Additional Information

Model	Part Number	Volts	Amps	Tank Wattage	Cubic Feet	Ship Wt.	Cord Attached
Ace-LP w/PDS	110917-B	120	USA / CAN 14.17 / 11.67	USA / CAN 1400w / 1100w	6.68	31 lbs	Yes

\*Cord not included on 240v models

**Electrical:** 120V models are 2 wires plus ground service rated 120V, single phase, 60Hz. 120/240 V models are 3 wires plus ground service rated 120/240 V, single phase, 60Hz

**Plumbing:** Water line should be 20-90 PSI and have a minimum flow rate of 1.5 GPM. Mechanical connection on brewer is 1/4" male flare connector.